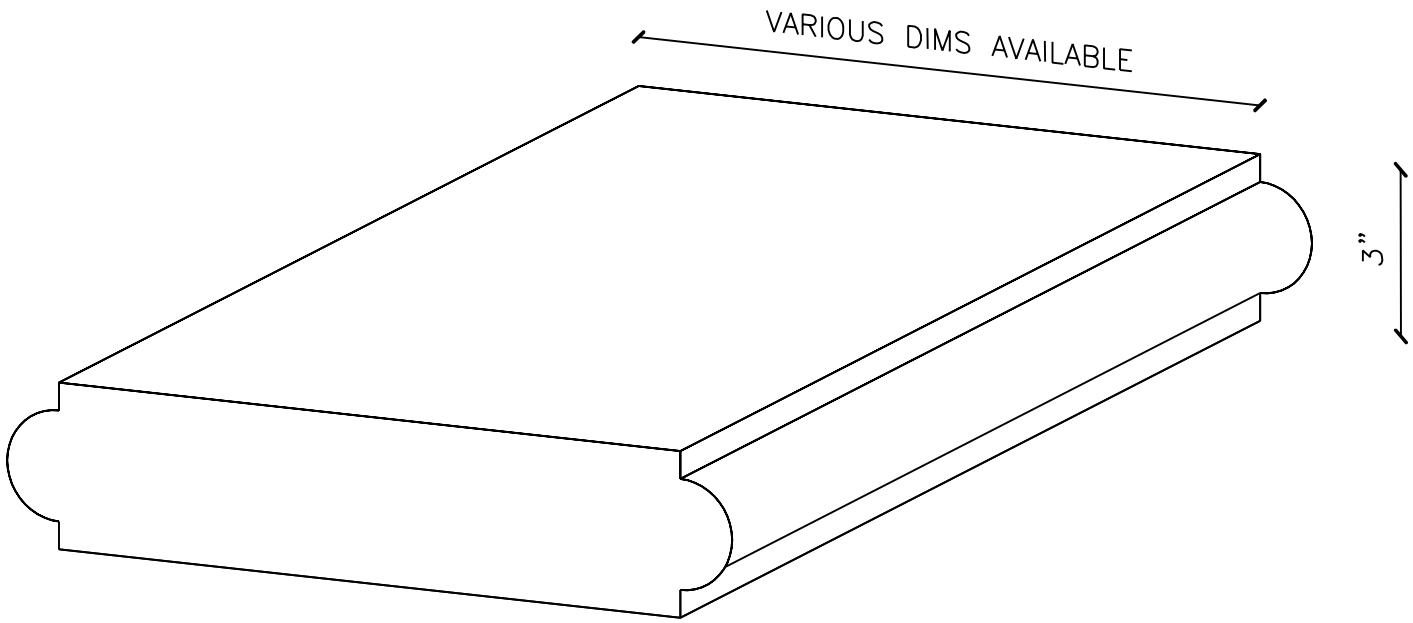


WCP-001



WCP-002

GC PRODUCTS, INC.  
 Gypsum & Cement Products  
 1045 W. National Dr #7, Sacramento, CA 95834  
 TEL: (916) 263-9892 FAX: (916) 263-9893

TITLE:	<b>STANDARD WALLCAPS</b>		
DRAWN BY:	A.J.C.	JOB#:	.
DATE:	03-28-05	SCALE:	AS NOTED
			SHEET#: 4